



# OMEC NORTH AMERICA INC

CAST IRON - GENERAL PURPOSE MOTORS

## PRODUCT FEATURES

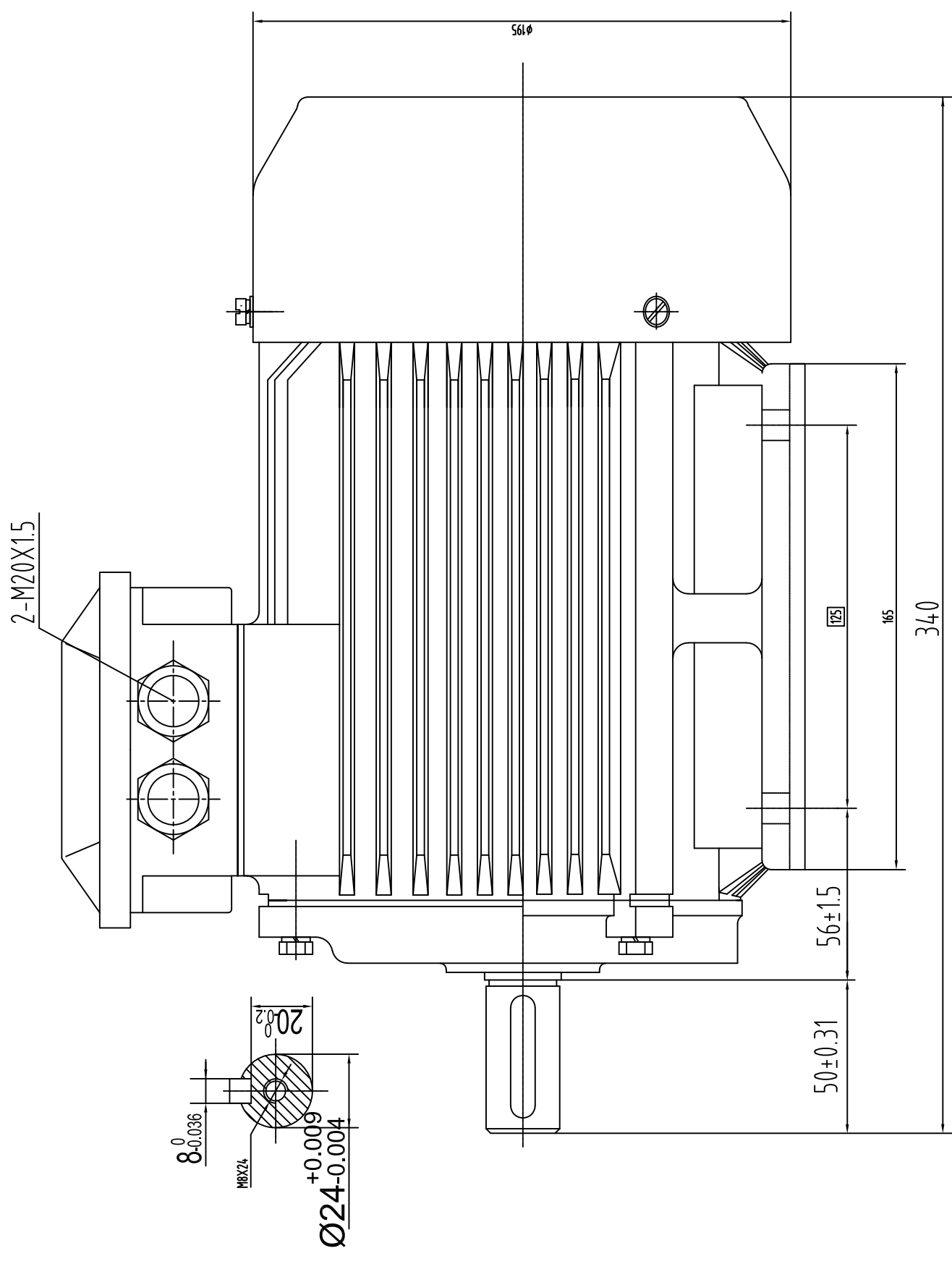
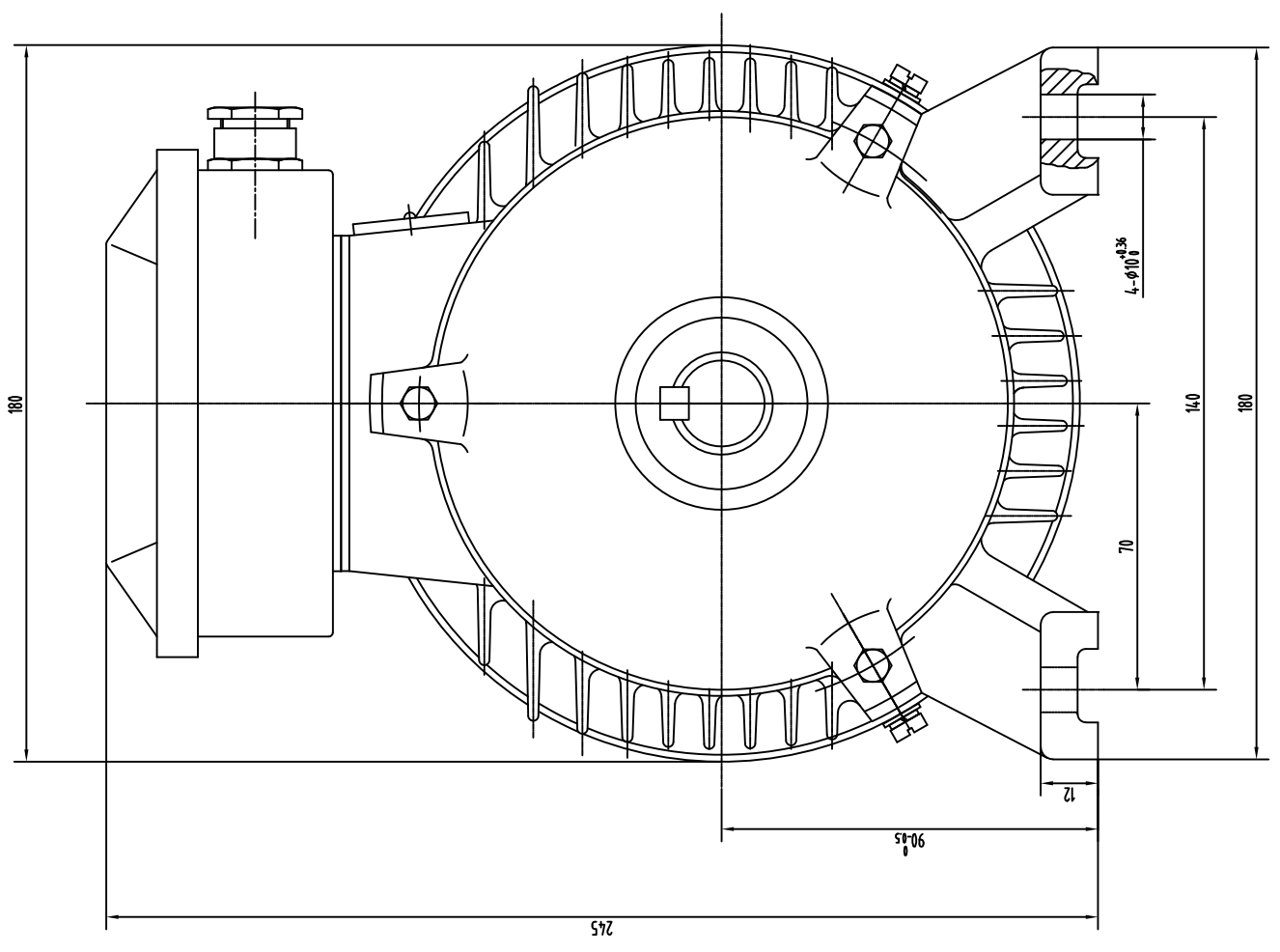
Model Number	OMT3-90L00-2 2.2KW		
Standard	IEC 60034-1	Output	2.20 KW
Hazardous Classification	None (Safe Area)	No of Poles	2 Pole
Efficiency Class	IE3	Frame Size	90L
Number of Phases	3 Phase- Induction	Mounting Type	B3; B35, B14, B5, V1
Material of Construction	Cast Iron	Enclosure Type / Cooling	TEFC-IC411
Insulation Class	Class F	Degree of Protection	IP55
Temperature Rise Class	80K (B class)	Duty Cycle	S1- Continuous Duty
Ambient Temperature	-15°C ~ 50°C	Service Factor	SF 1.15
Starting Method	DOL / WYE-DELTA	Operating Altitude	1000 masl

## TECHNICAL DETAILS

Winding Connection	Y (Star)						
Frequency	50Hz			60Hz			
Rated Speed	2880 Rpm			3455 Rpm			
Voltage	380	400	415	380	400	440	460
Full Load Current [ IN ]	4.58 A	4.35 A	4.19 A	4.58 A	4.35 A	3.95 A	3.78 A
Locked Rotor Current [ IL / IN ]	7.1	7.1	7.1	7.1	7.1	7.1	7.1
Full Load Torque [ TN ]	7.30 Nm	7.30 Nm	7.30 Nm	6.08 Nm	6.08 Nm	6.08 Nm	6.08 Nm
Locked Rotor Torque [ TL / TN ]	2.2	2.2	2.2	2.6	2.6	2.6	2.6
Breakdown Torque [ TB / TN ]	2.3	2.3	2.3	2.8	2.8	2.8	2.8
Efficiency	50% load	83.5%	83.5%	83.5%	83.5%	83.5%	83.5%
	75% load	85.8%	85.8%	85.8%	85.8%	85.8%	85.8%
	100% load	85.9%	85.9%	85.9%	85.9%	85.9%	85.9%
Power Factor (cos φ)	50% load	0.65	0.65	0.65	0.65	0.65	0.65
	75% load	0.77	0.77	0.77	0.77	0.77	0.77
	100% load	0.85	0.85	0.85	0.85	0.85	0.85

## OTHER DETAILS

Bearing Configuration (DE / NDE)	Ball Bearing / Ball Bearing		
Bearing Lubrication Type	Grease - Mobil Polyrex EM		
Bearing Series Type	DE:	6205-2Z/C3	NDE: 6205-2Z/C3
Vibration	1.6 mm/sec	Direction of Rotation	CW or CCW
Moment of inertia (kg.m <sup>2</sup> )	0.0031	Sound Pressure Level	78 dB(A)
Final Colour	RAL-5012 : BLUE	Paint Specification	2 Pack Epoxy
Terminal Box Position	TOP/SIDE	Weight	27 kg



Description: OMT3 Type-1

Motor Frame: 90L



Drawing Title:

Outline Drawing

Sheet No.	Dim. Size	Scale
1 OF 1	mm A3	1:5

# IP55-Cast Iron B3 MOTORS

## OMEC NORTH AMERICA INC.

A.J.B.	15.Jan.2025	00
Drawn By	Date	Approved By
		Rev.

This document is the sole property of OMEC and all information contained herein may neither be reproduced, used, disclosed, transmitted nor in any way made public without permission of the OWNER.



# OMEC NORTH AMERICA INC.

## Performance Curves

kW: 2.2 RPM: 2880

IE3 GENERAL PURPOSE MOTORS- OMT 400V 50Hz

