



OMEC NORTH AMERICA INC

CAST IRON - GENERAL PURPOSE MOTORS

PRODUCT FEATURES

| | | | |
|--------------------------|--------------------|--------------------------|---------------------|
| Model Number | OMT3-225S00-4 37KW | | |
| Standard | IEC 60034-1 | Output | 37.00 KW |
| Hazardous Classification | None (Safe Area) | No of Poles | 4 Pole |
| Efficiency Class | IE3 | Frame Size | 225S |
| Number of Phases | 3 Phase- Induction | Mounting Type | B3; B35, B5, V1 |
| Material of Construction | Cast Iron | Enclosure Type / Cooling | TEFC-IC411 |
| Insulation Class | Class F | Degree of Protection | IP55 |
| Temperature Rise Class | 80K (B class) | Duty Cycle | S1- Continuous Duty |
| Ambient Temperature | -15°C ~ 50°C | Service Factor | SF 1.15 |
| Starting Method | DOL / WYE-DELTA | Operating Altitude | 1000 masl |

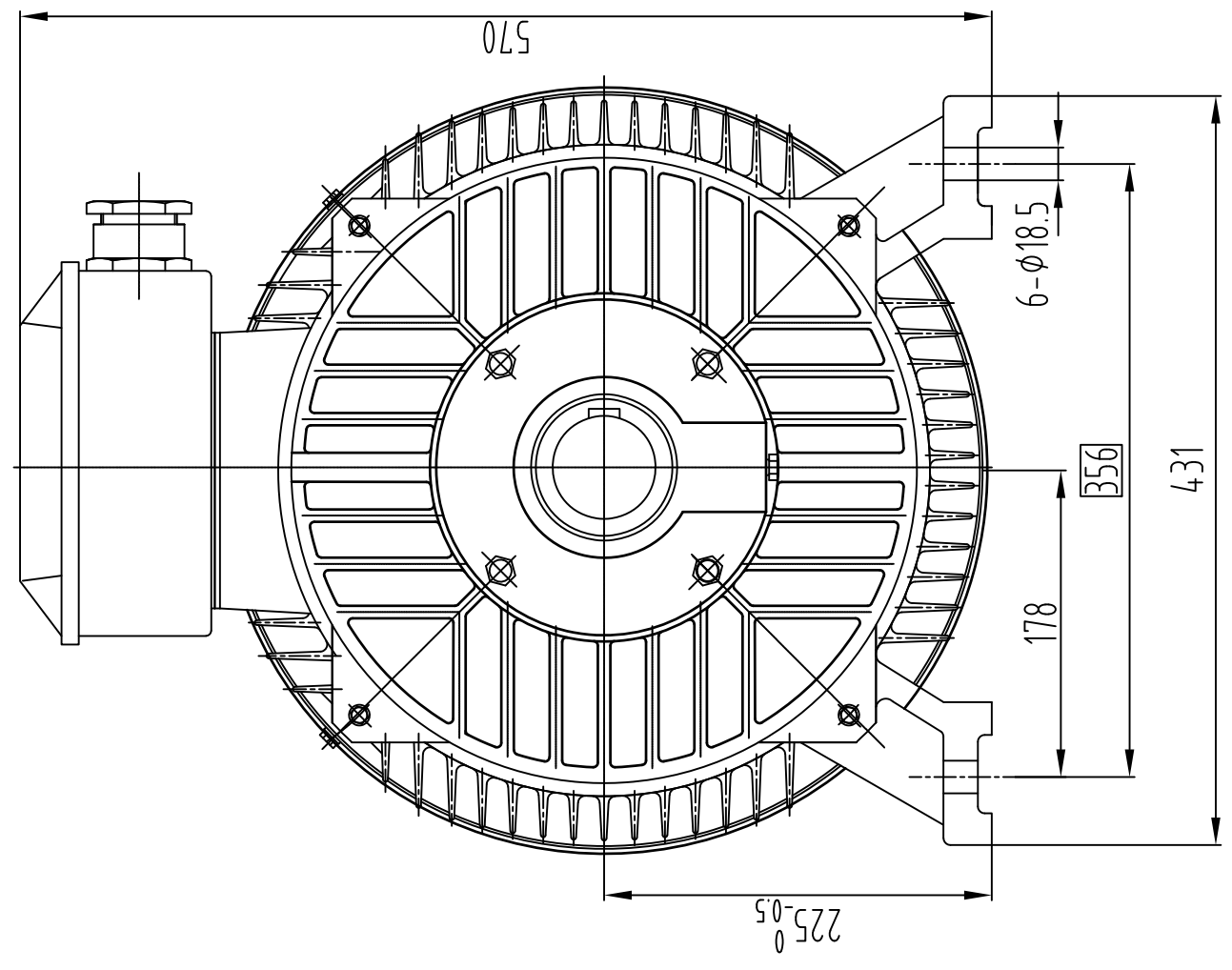
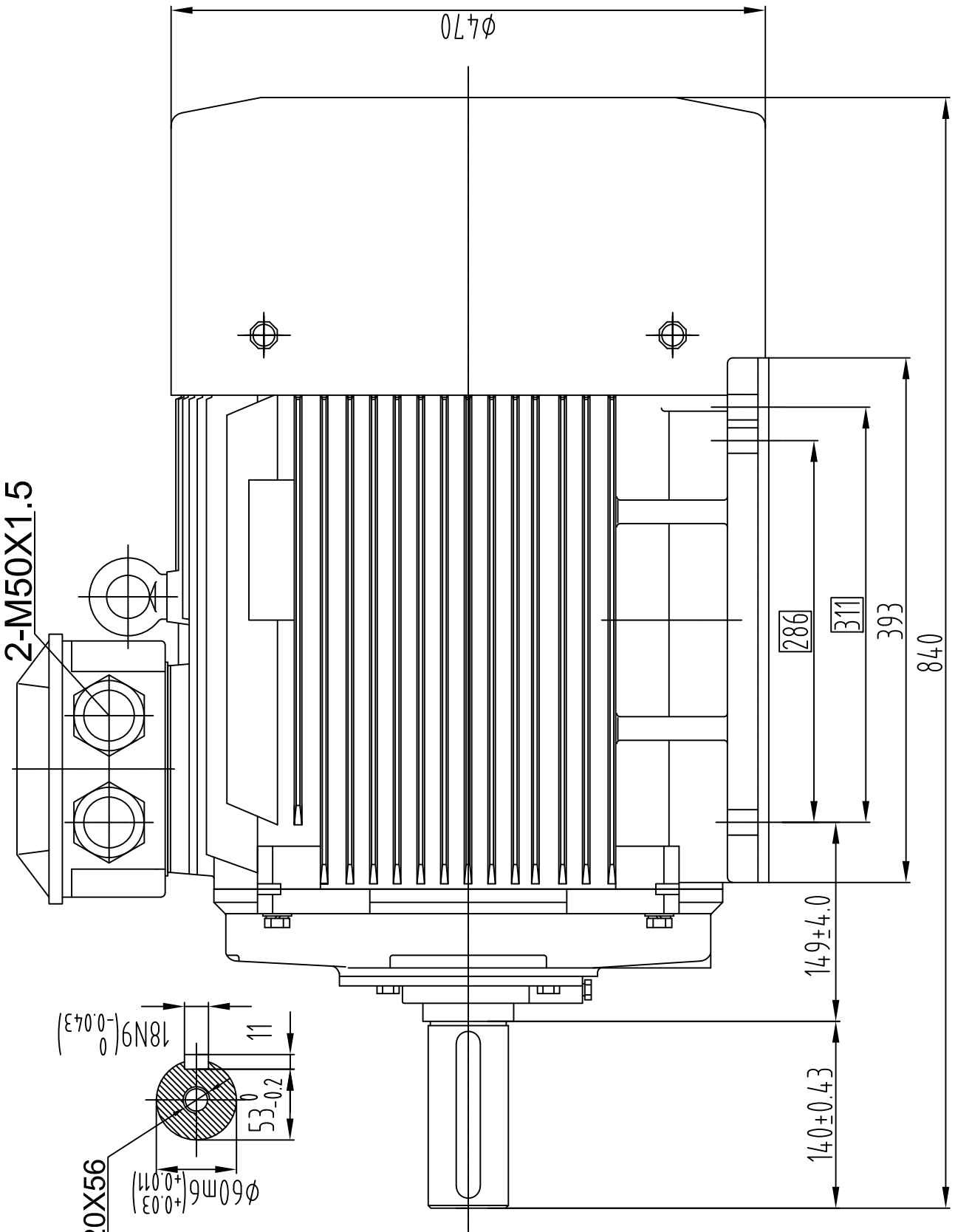
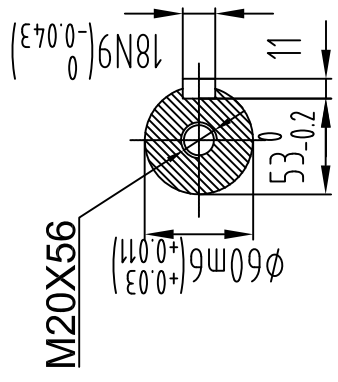
TECHNICAL DETAILS

| | | | | | | | |
|----------------------------------|-----------|-----------|-----------|-----------|-----------|-----------|-----------|
| Winding Connection | Δ (Delta) | | | | | | |
| Frequency | 50Hz | | | 60Hz | | | |
| Rated Speed | 1480 Rpm | | | 1775 Rpm | | | |
| Voltage | 380 | 400 | 415 | 380 | 400 | 440 | 460 |
| Full Load Current [IN] | 69.62 A | 66.13 A | 63.74 A | 69.62 A | 66.13 A | 60.12 A | 57.51 A |
| Locked Rotor Current [IL / IN] | 7.4 | 7.4 | 7.4 | 7.4 | 7.4 | 7.4 | 7.4 |
| Full Load Torque [TN] | 238.75 Nm | 238.75 Nm | 238.75 Nm | 199.07 Nm | 199.07 Nm | 199.07 Nm | 199.07 Nm |
| Locked Rotor Torque [TL / TN] | 2.0 | 2.0 | 2.0 | 2.4 | 2.4 | 2.4 | 2.4 |
| Breakdown Torque [TB / TN] | 2.3 | 2.3 | 2.3 | 2.8 | 2.8 | 2.8 | 2.8 |
| Efficiency | 50% load | 92.7% | 92.7% | 92.7% | 92.7% | 92.7% | 92.7% |
| | 75% load | 93.8% | 93.8% | 93.8% | 93.8% | 93.8% | 93.8% |
| | 100% load | 93.9% | 93.9% | 93.9% | 93.9% | 93.9% | 93.9% |
| Power Factor (cos φ) | 50% load | 0.74 | 0.74 | 0.74 | 0.74 | 0.74 | 0.74 |
| | 75% load | 0.82 | 0.82 | 0.82 | 0.82 | 0.82 | 0.82 |
| | 100% load | 0.86 | 0.86 | 0.86 | 0.86 | 0.86 | 0.86 |

OTHER DETAILS

| | | | |
|----------------------------------------|-----------------------------|-----------------------|--------------|
| Bearing Configuration (DE / NDE) | Ball Bearing / Ball Bearing | | |
| Bearing Lubrication Type | Grease - ESSO UNIREX N2 | | |
| Bearing Series Type | DE: | 6313/C3 | NDE: 6312/C3 |
| Vibration | 2.2 mm/sec | Direction of Rotation | CW or CCW |
| Moment of inertia (kg.m ²) | 0.6109 | Sound Pressure Level | 84 dB(A) |
| Final Colour | RAL-5012 : BLUE | Paint Specification | 2 Pack Epoxy |
| Terminal Box Position | TOP/SIDE | Weight | 320 kg |

2-M50X1.5



IP55-Cast Iron B3 MOTORS

OMEC NORTH AMERICA INC.

Description: OMT3 Type-1

Motor Frame: 225SM-4



Drawing Title:

Outline Drawing

| Sheet No. | Dim. mm | Size | Scale |
|-----------|---------|------|-------|
| 1 OF 1 | mm | A3 | 1:5 |

A.J.B. 15.Jan.2025

Drawn By Date Approved By Rev. 00



OMEC NORTH AMERICA INC.

Performance Curves

kW: 37 RPM: 1480

IE3 GENERAL PURPOSE MOTORS- OMT 400V 50Hz

